



### AML34EBA4AC01



**AML34 Series Rocker Switch, DPST, 2 position, Silver Contacts, 0.187 in x 0.02 in (Solder or Quick-Connect), Non-Lighted, Rectangle, Snap-in Panel**

*Actual product appearance may vary.*

#### Features

- Same circuitry and electrical rating as power duty paddle switches
- 1 or 2 poles
- Maintained on, off position operation
- Neon lamp circuitry can be isolated or Integral circuits
- Up to 15 A, 125 or 250 Vac
- UL recognized
- CSA certified

#### Potential Applications

- Industrial machinery and equipment
- Commercial aviation
- Construction equipment
- Test instruments
- Agricultural machinery
- Process control
- Medical instrumentation

#### Description

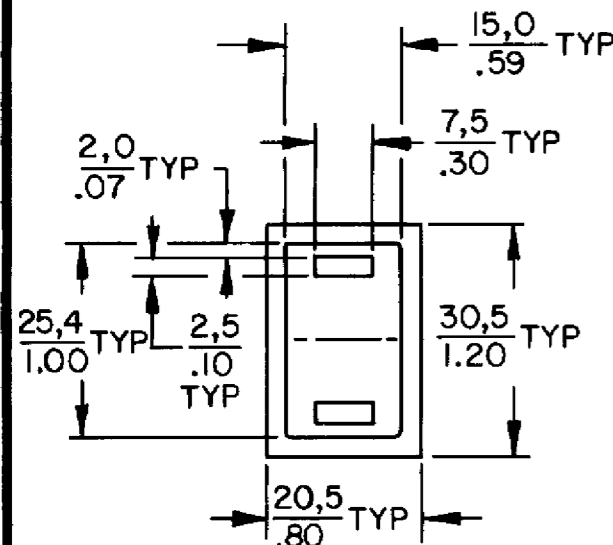
Electronic control rectangular power duty rocker switches with black bezels. Switches have maintained on and off operating action. Neon lamp available with integral lamps on two-pole switches; isolated lamp circuitry only on one-pole switches. Solder or quick connect terminals are 0.187 in by 0.020 in dimension. Rocker operators ordered separately.

Product Specifications	
Circuitry/Operating action	<div style="display: flex; justify-content: space-around; align-items: center;"> <div style="text-align: center;"> <p><b>Keyway Position</b></p> </div> <div style="text-align: center;"> <p><b>Opposite Keyway Position</b></p> </div> </div>
Product Type	MICRO SWITCH™ Rocker
Housing Type	Non-Lighted, Rectangle
Contact Type	Silver Contacts
Circuitry	DPST
Action	2 position
Mounting	Snap-in Panel
Termination	0.187 in x 0.02 in (Solder or Quick-Connect)

Availability	Global
UNSPSC Code	302368
UNSPSC Commodity	302119 Switches and controls and relays
Series Name	AML34

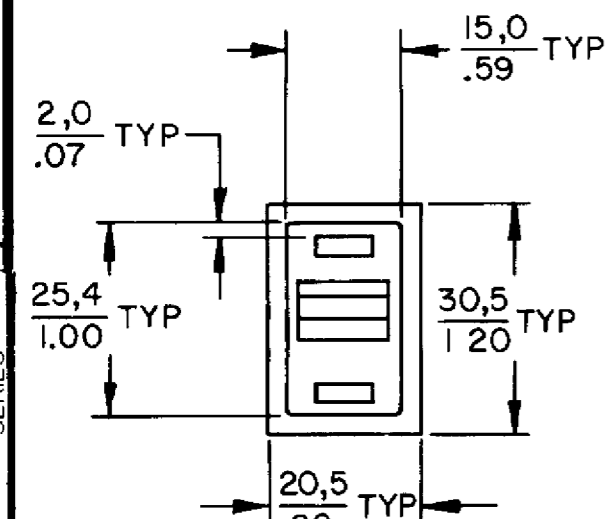
# SOLID STATE SWITCH AML 10 SERIES AND ELECTRONIC CONTROL AML 20 SERIES

## ACTUATORS FOR AML 10 SERIES & AML 20 SERIES



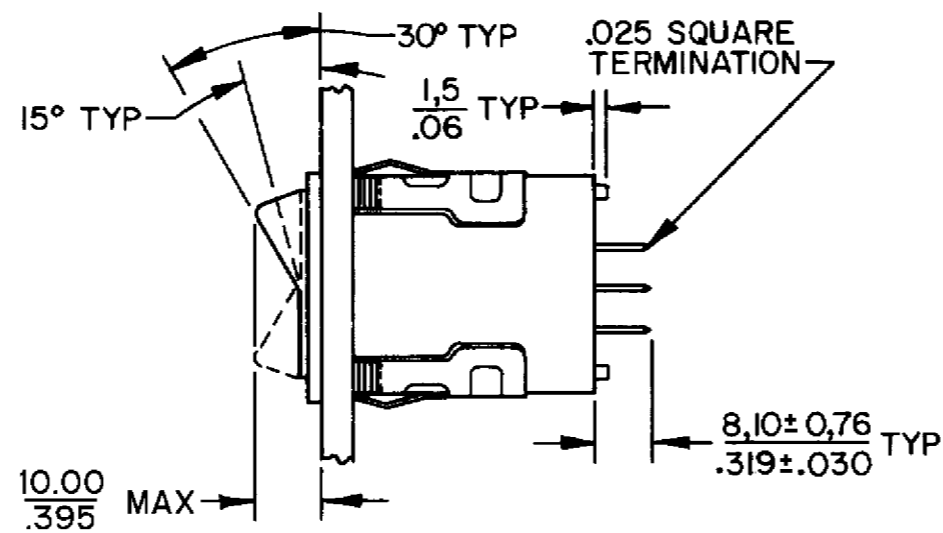
LED

NON ILLUMINATED AND INCANDESCENT

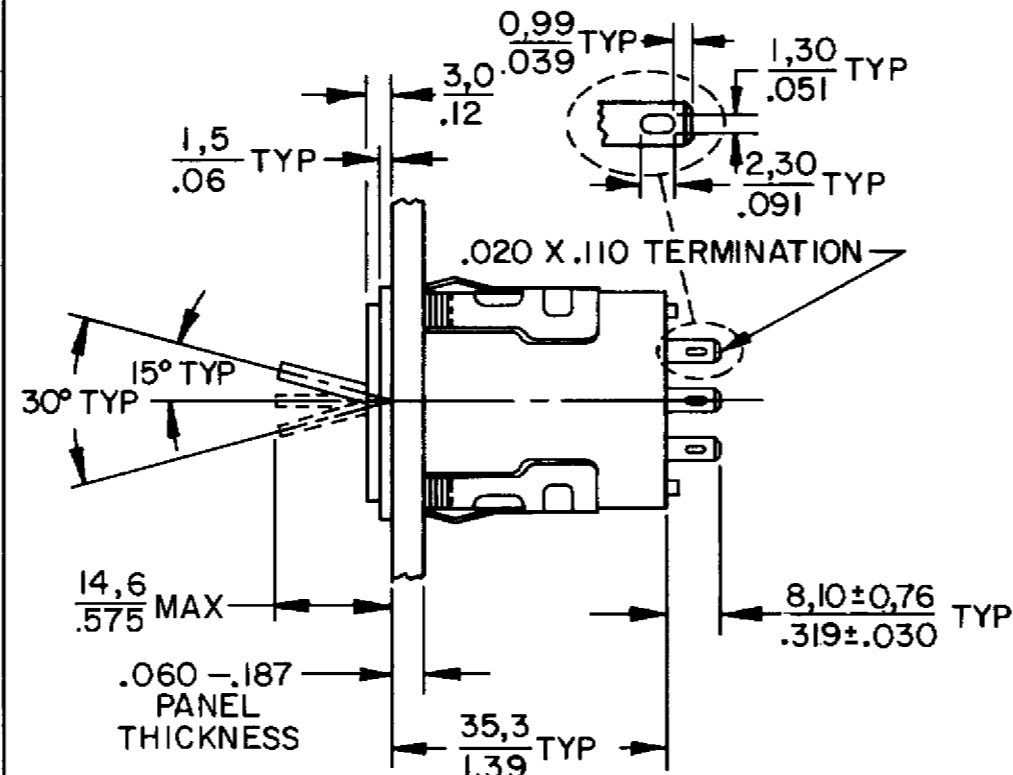


LED

NON ILLUMINATED AND INCANDESCENT

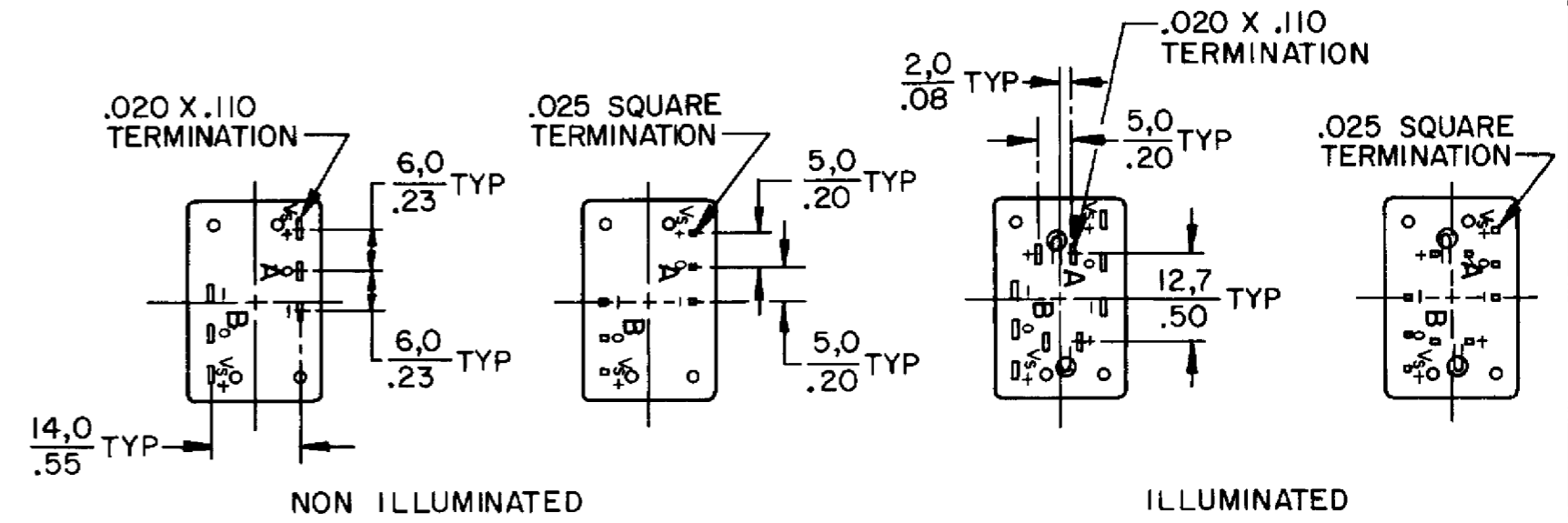


ROCKER



PADDLE

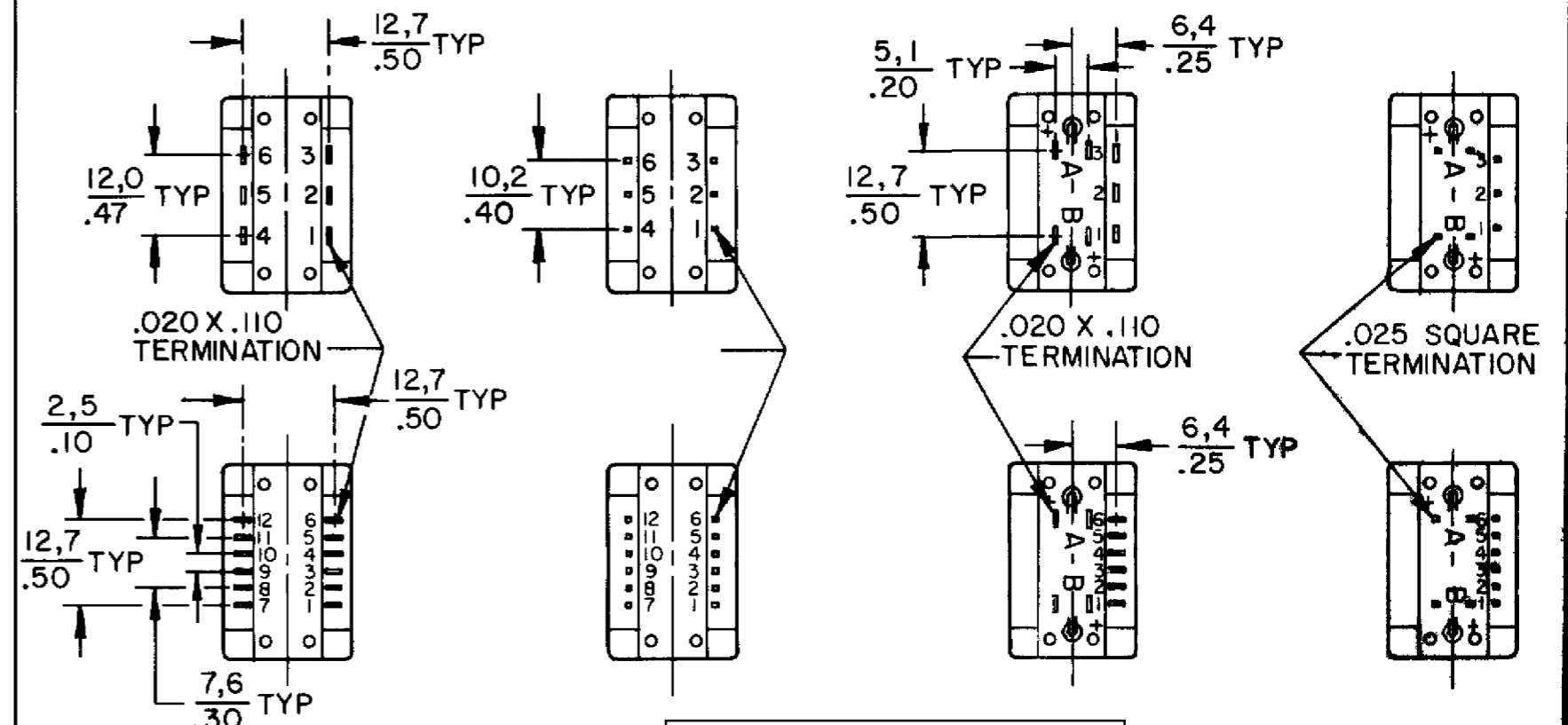
## TERMINATION AML 10 SERIES



NON ILLUMINATED

ILLUMINATED

## TERMINATION AML 20 SERIES



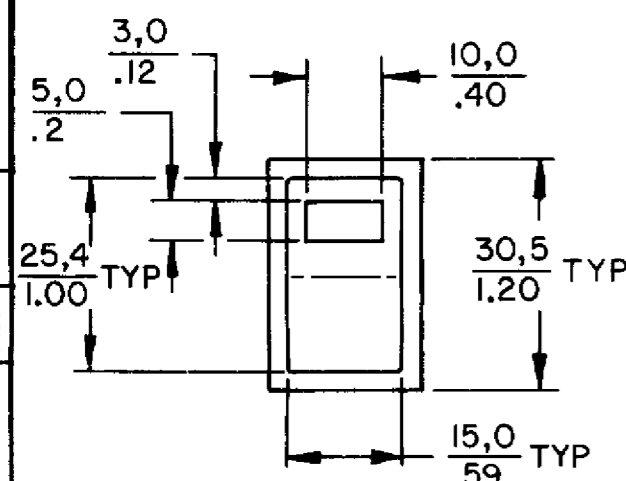
NON ILLUMINATED

AML24GBE2CA03-001 FAA-PMA

ILLUMINATED

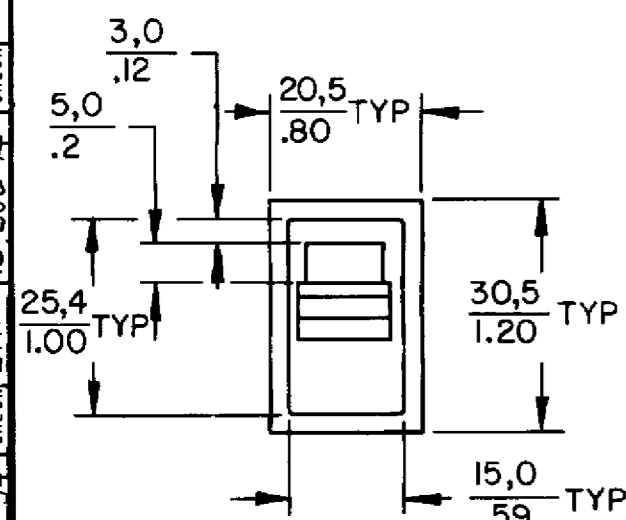
## POWER SWITCH AML 30 SERIES

### ACTUATORS FOR AML 30 SERIES



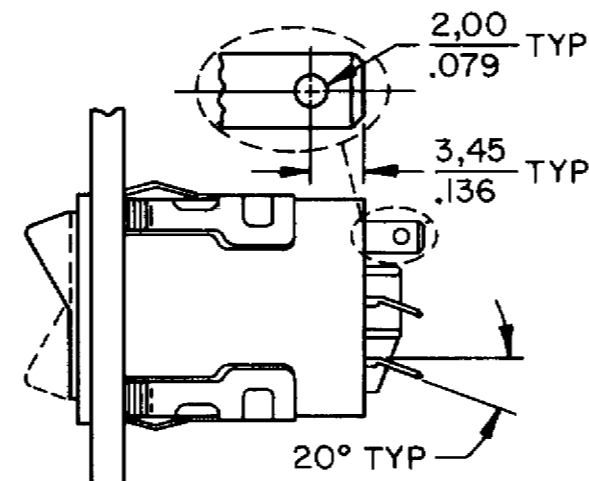
NEON

NON ILLUMINATED AND INCANDESCENT

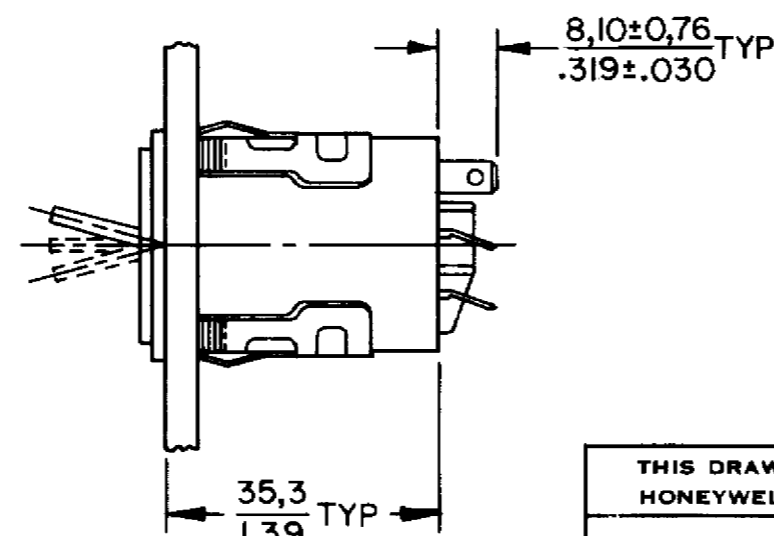


NEON

NON ILLUMINATED AND INCANDESCENT



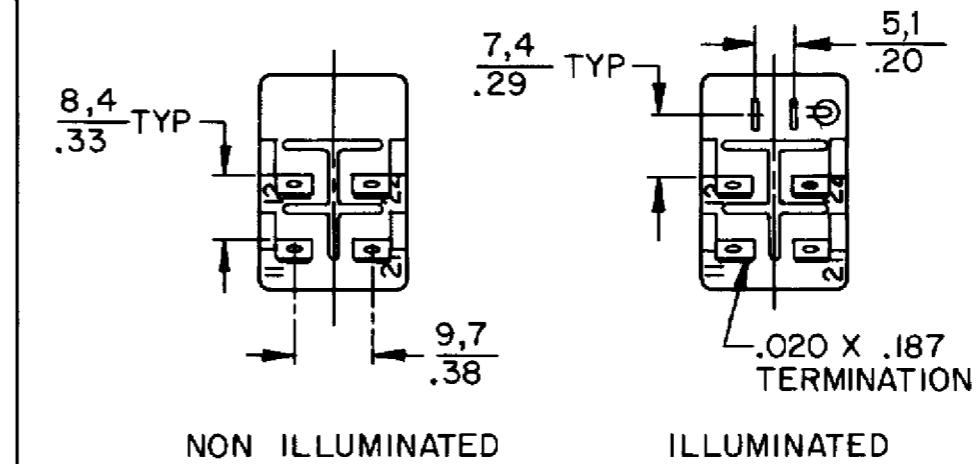
ROCKER



PADDLE

MASTER REDUCED

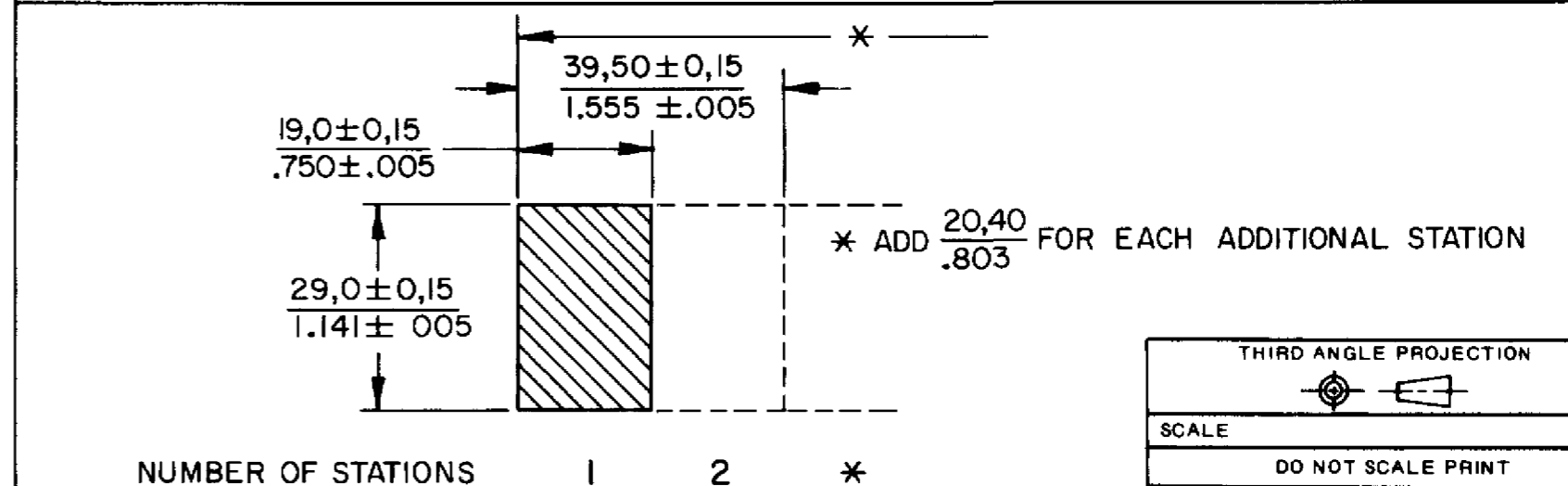
### TERMINATION AML 30 SERIES



NON ILLUMINATED

ILLUMINATED

### PANEL CUTOUTS FOR AML 10, 20 & 30 SERIES



NUMBER OF STATIONS

1

2

\*

THIRD ANGLE PROJECTION

SCALE

DO NOT SCALE PRINT

UNLESS OTHERWISE SPECIFIED TOLERANCES ARE

ONE PLACE (.0) ± .030

TWO PLACE (.00) ± .015

THREE PLACE (.000) ± .005

ANGLES ±

WEIGHT

THIS DRAWING COVERS A PROPRIETARY ITEM AND IS THE PROPERTY OF MICRO SWITCH A DIVISION OF HONEYWELL THIS DRAWING IS NOT TO BE COPIED OR USED WITHOUT THE APPROVAL OF MICRO SWITCH

**MICRO SWITCH**  
a Honeywell Division

AML PADDLE AND  
ROCKER

AML10 20 30  
SERIES CHART 1

FED MFG CODE 91929

CATALOG LISTING  
PAGE 1 OF 1  
RELEASE NO. CO-78498  
REPLACES  
AML 10, 20 & 30 SERIES  
ISSUE 13  
REVISIONS  
A 207432  
14 FEB 03  
B 0000447  
C 1  
2 JUN 03  
DRAWN  
SAD 10 JUN 94  
CHECK JAF 12 JUL 94  
CHECK